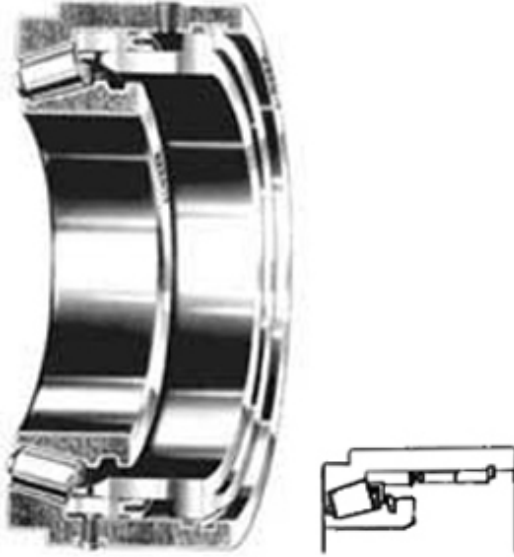




NTN BEARING MFG.CORP



JP20049P-90C01 Bearing 2D drawings and 3D CAD models

TIMKEN JP20049P-90C01 Tapered Roller Bearing Assemblies

Bearing No. JP20049P-90C01

Category	Tapered Roller Bearing Assemblies
Inventory	8.0
Manufacturer Name	TIMKEN
Minimum Buy Quantity	N/A
Weight	15.08
EAN	0053893200798
Product Group	B04336
Precision Class	Standard
Component	Assembly
Basic Number	JP20049
Assembly Number	90C01
Assembly Components	JP20049P (1) JP20019HR (1) K143204 (1) K143205 (1) K143206 (1) K143207 (1) K143208 (1) K143209 (1) K518787 (2)
Number of Tapered Rows	Single Row
Inch - Metric	Metric
Other Features	1 Single Cone 1 Single Cup Hydra-Rib Bearing Puller Groove
Long Description	Assembly; Standard Precision; Components JP20049P (1) JP20019HR (1) K143204 (1) K143205 (1) K143206 (1) K143207 (1) K143208 (1) K143209 (1) K518787 (2); 200MM Bore; 282MM Outside



NTN BEARING MFG.CORP

	Diame
Category	Tapered Roller Bearings Assembly
UNSPSC	31171516
Harmonized Tariff Code	8482.20.00.00
Noun	Bearing
Keyword String	Tapered
Manufacturer URL	http://www.timken.com
Manufacturer Item Number	JP20049P-90C01
Weight / LBS	33.209
Flange Outside Diameter	11.417 Inch 290 Millimeter
D	11.102 Inch 282 Millimeter
Assembly Width	1.26 Inch 32 Millimeter
d	7.874 Inch 200 Millimeter